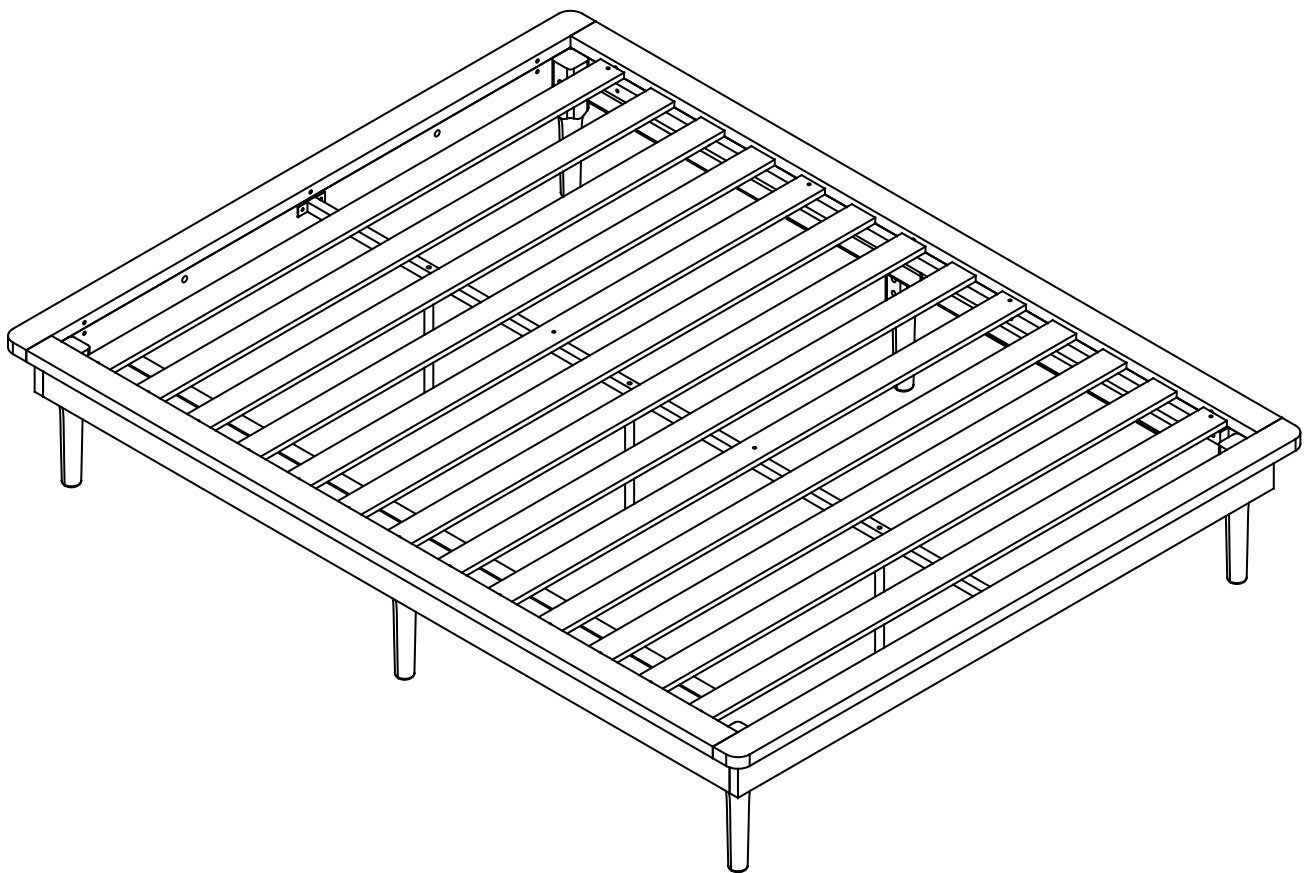


# Queen Bed Base

Thank you for your purchase. Please follow the instructions for correct assembly. While we took great effort to ensure these assembly instructions were correct at the time of printing, sometimes updates are required post production. For the most up to date versions please refer to the product page on our website. [mocka.com.au/mocka.co.nz](http://mocka.com.au/mocka.co.nz)

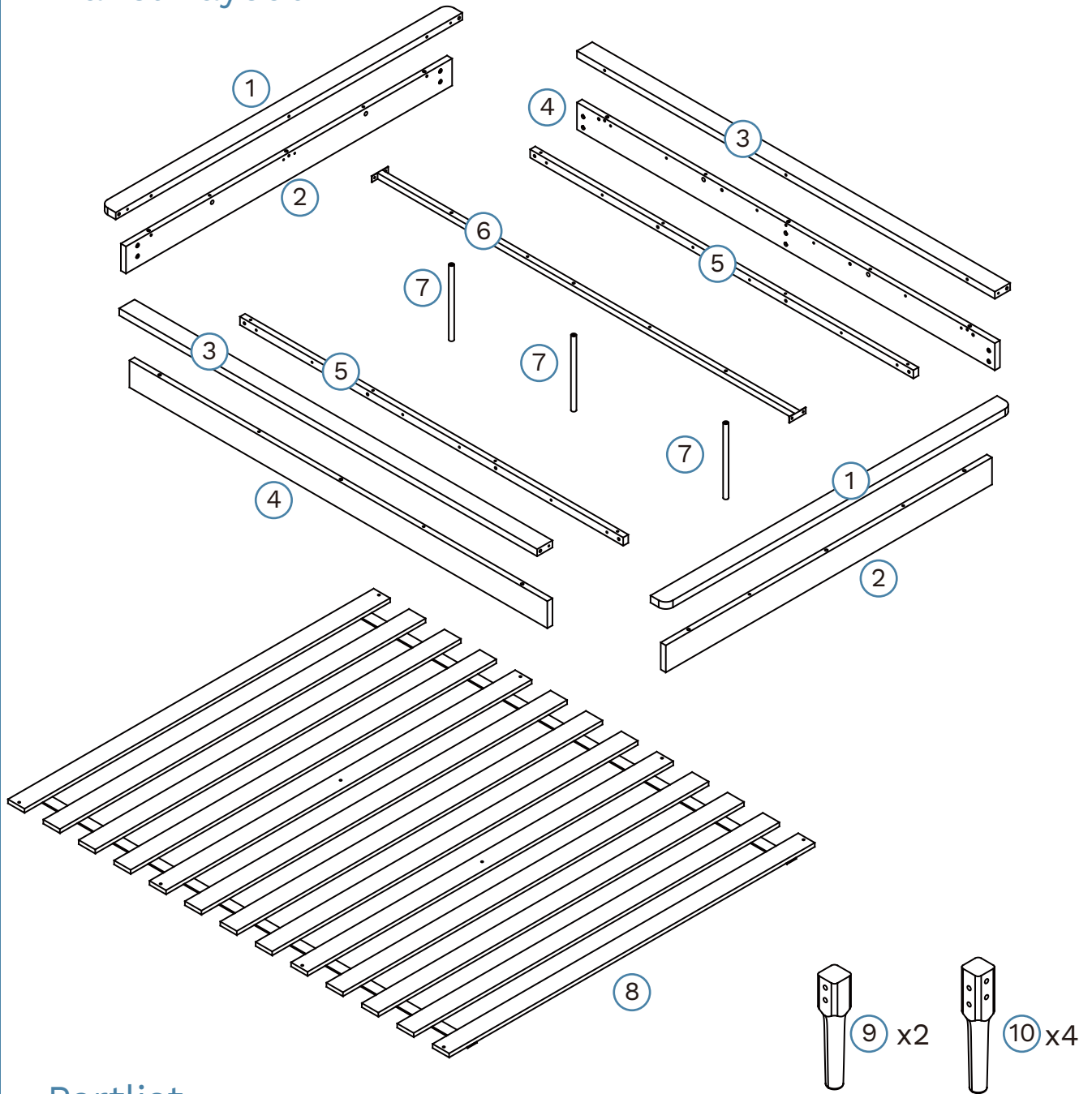


**\* IMPORTANT NOTICE \***

When moving the bed, please lift off the ground with two people. DO NOT drag, push or pull the bed across the floor, as this can result in damage to the supporting leg.

# Queen Bed Base

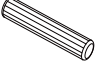

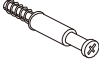

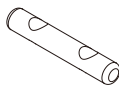







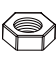

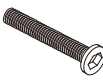
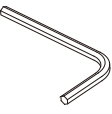
## Panel Layout



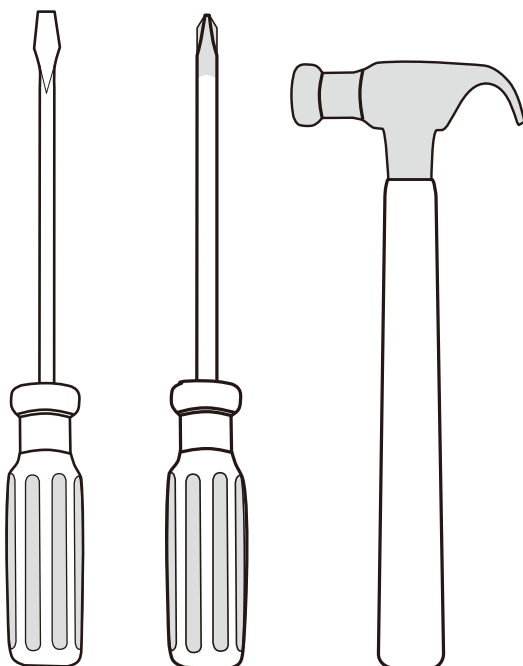
## Partlist

①	Side Cover	x2	⑥	Centre Rail	x1
②	Side Rail	x2	⑦	Support Leg	x3
③	Side Cover	x2	⑧	Slats	x1
④	Side Rail	x2	⑨	leg	x2
⑤	Rail	x2	⑩	leg	x4

# Queen Bed Base

<b>A</b>  dowel x4	<b>B</b>  long screw x12	<b>C</b>  bolt x8	<b>D</b>  locking nut x8	<b>E</b>  nuts x16	<b>F</b>  bolt x32
<b>G</b>  long bolt x20	<b>H</b>  washer x20	<b>I</b>  seal x25	<b>J</b>  allen Key x1	<b>K</b>  screw x4	<b>L</b>  bolt x8
<b>M</b>  adjuster x3	<b>N</b>  screw x8	<b>O</b>  hexagonal nut x2	<b>P</b>  plastic glide x6	<b>Q</b>  bolt x5	<b>R</b>  large allen Key x1

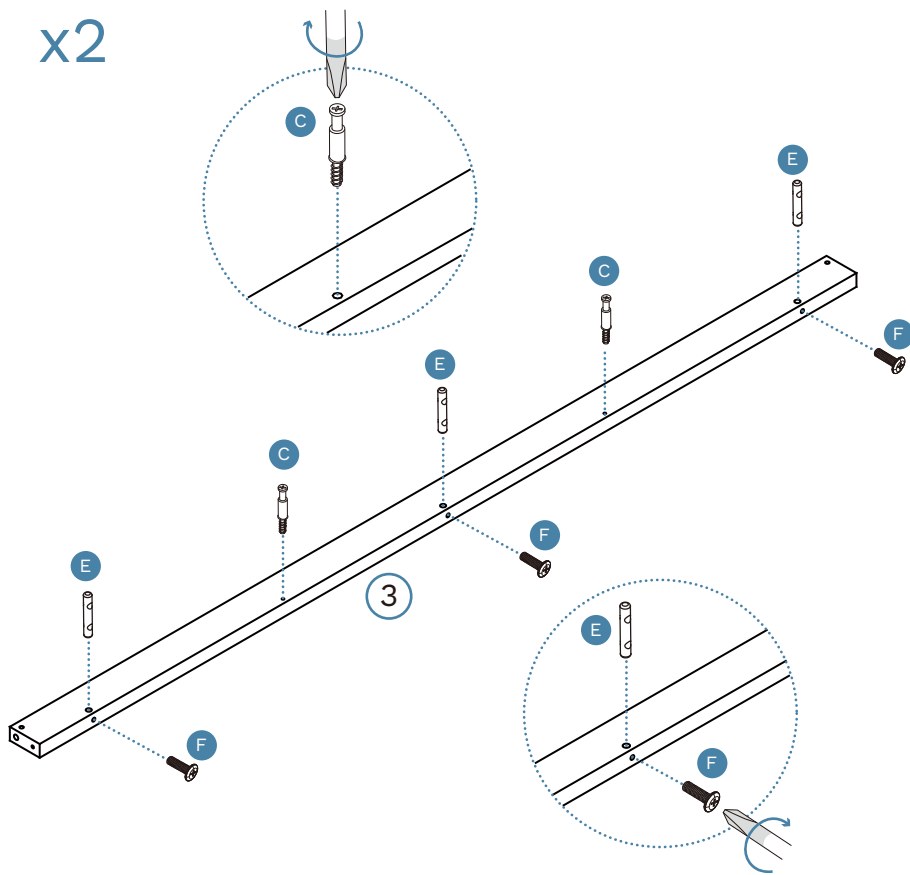
HARDWARE SUPPLIED



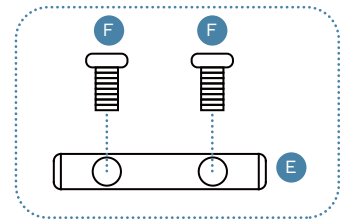
Phillips & Flathead screwdrivers  
and hammer required  
**For quicker assembly, we recommend the  
use of a power drill on a low-speed setting.**

# Queen Bed Base

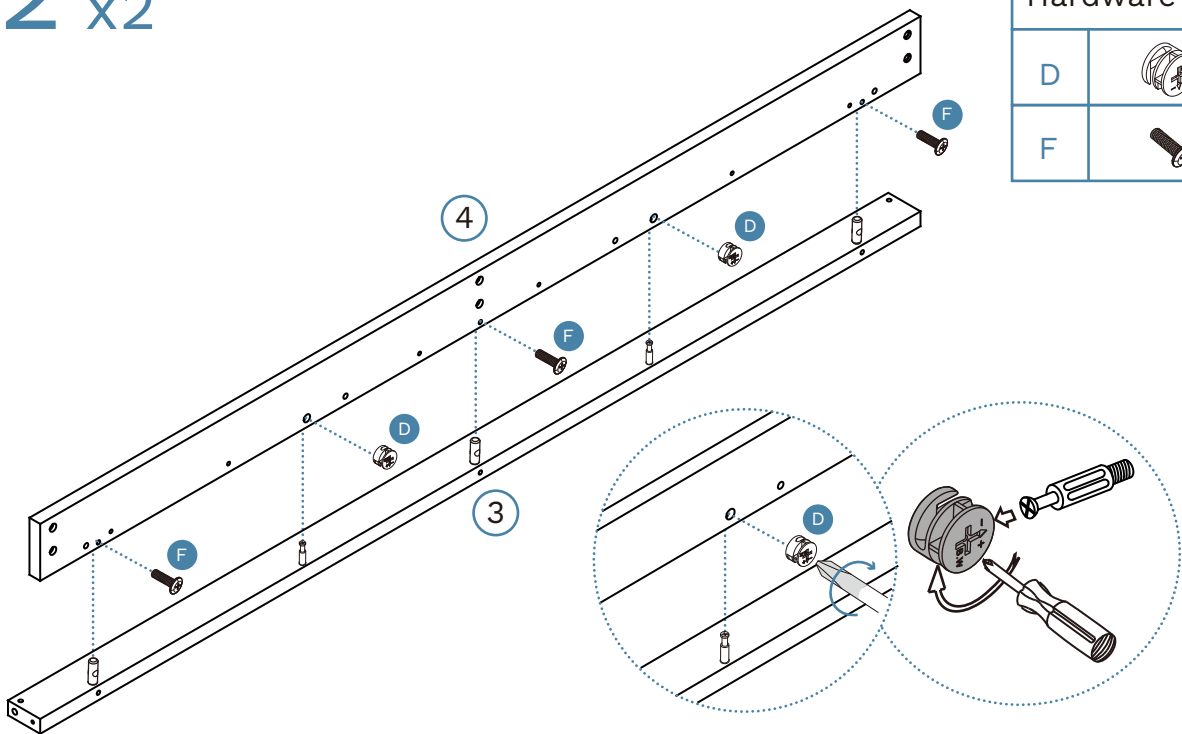
1 x2



Hardware Needed		
C		x4
E		x6
F		x6



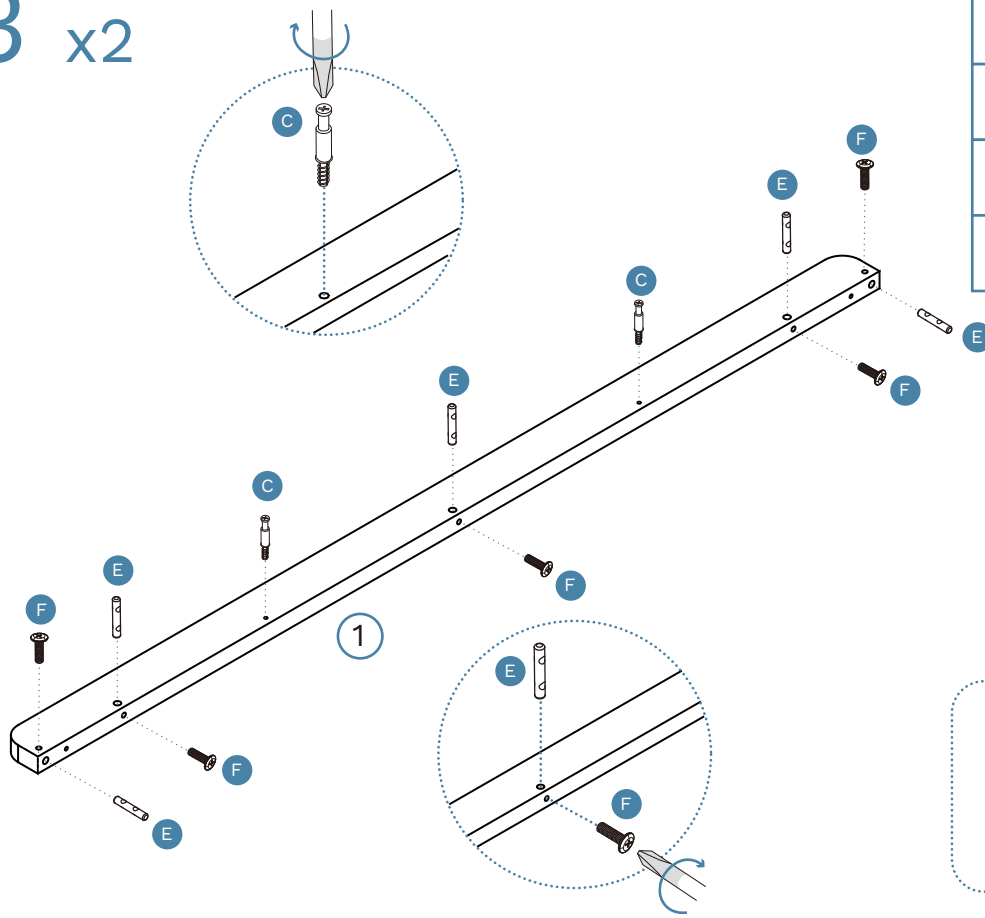
2 x2






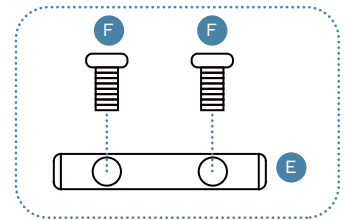
Hardware Needed		
D		x4
F		x6

# Queen Bed Base

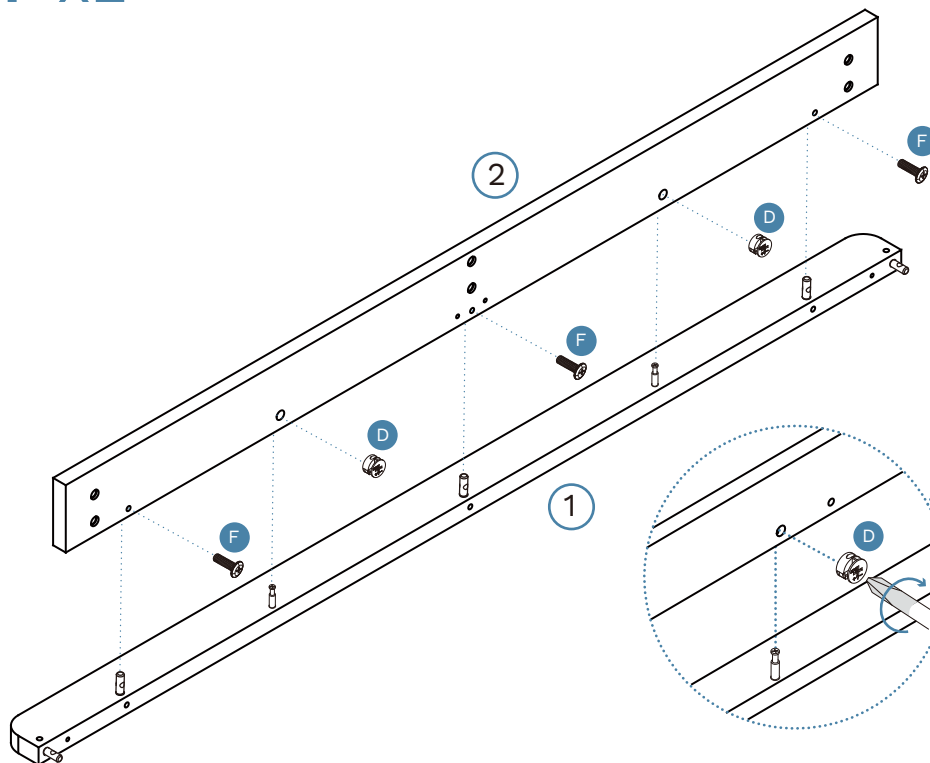
3 x2





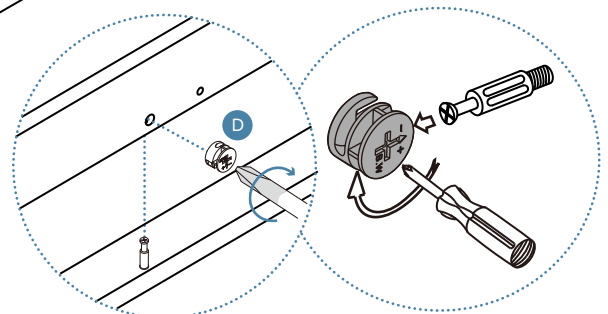
Hardware Needed		
C		x4
E		x10
F		x10



4 x2

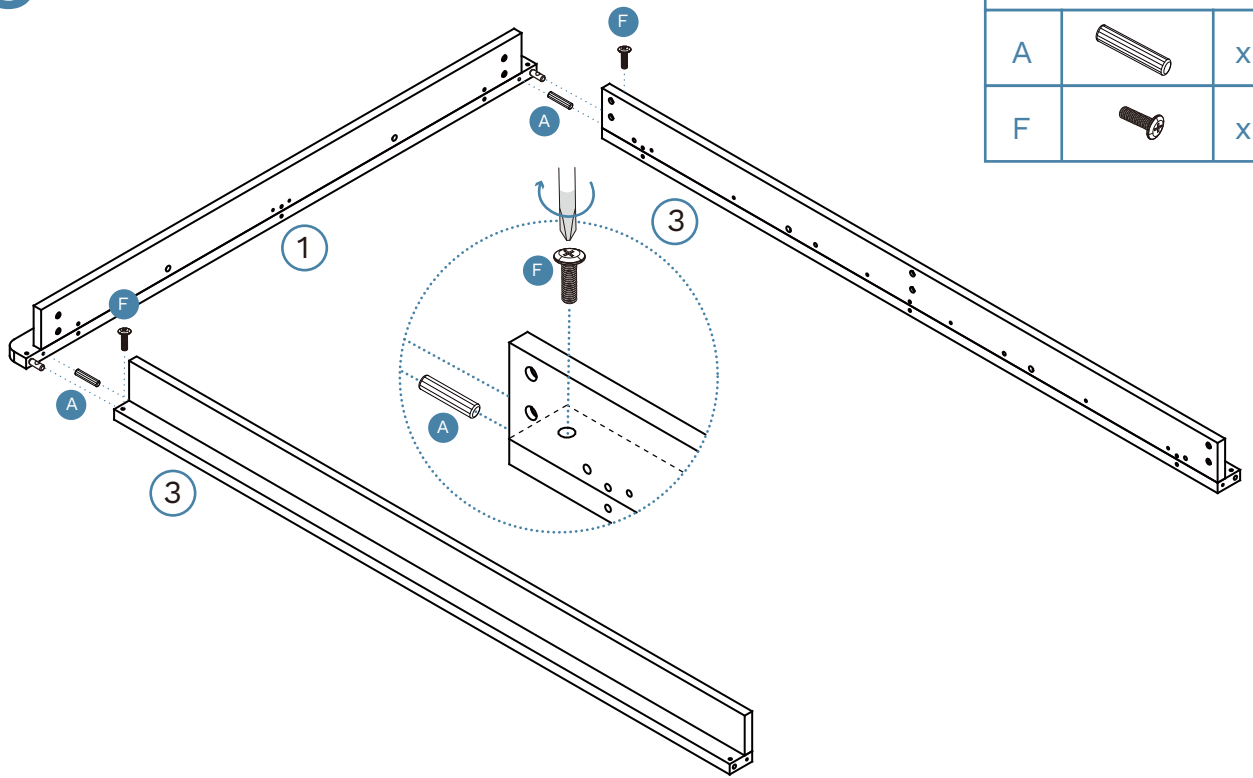




Hardware Needed		
D		x4
F		x6



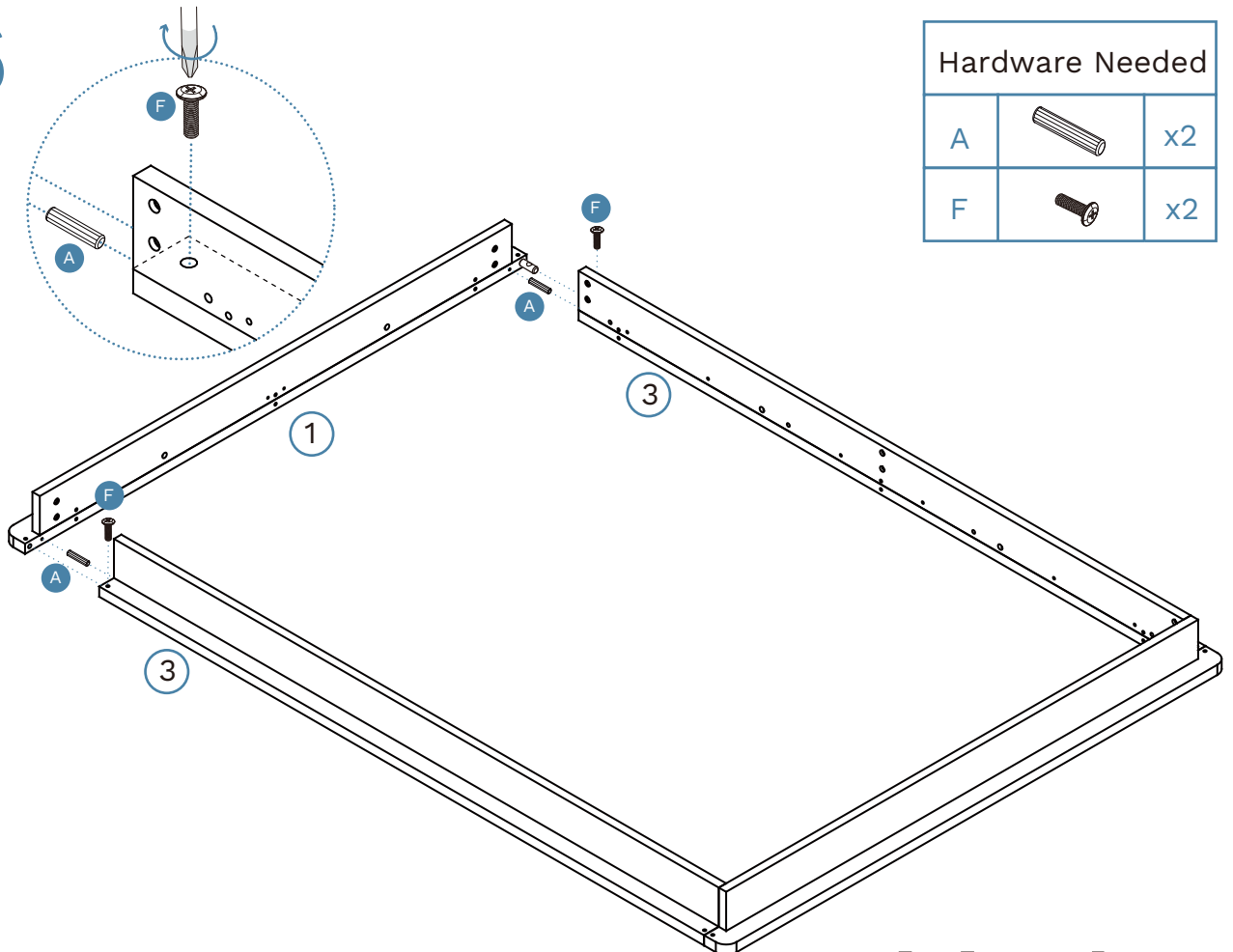
# Queen Bed Base



5



Hardware Needed		
A		x2
F		x2

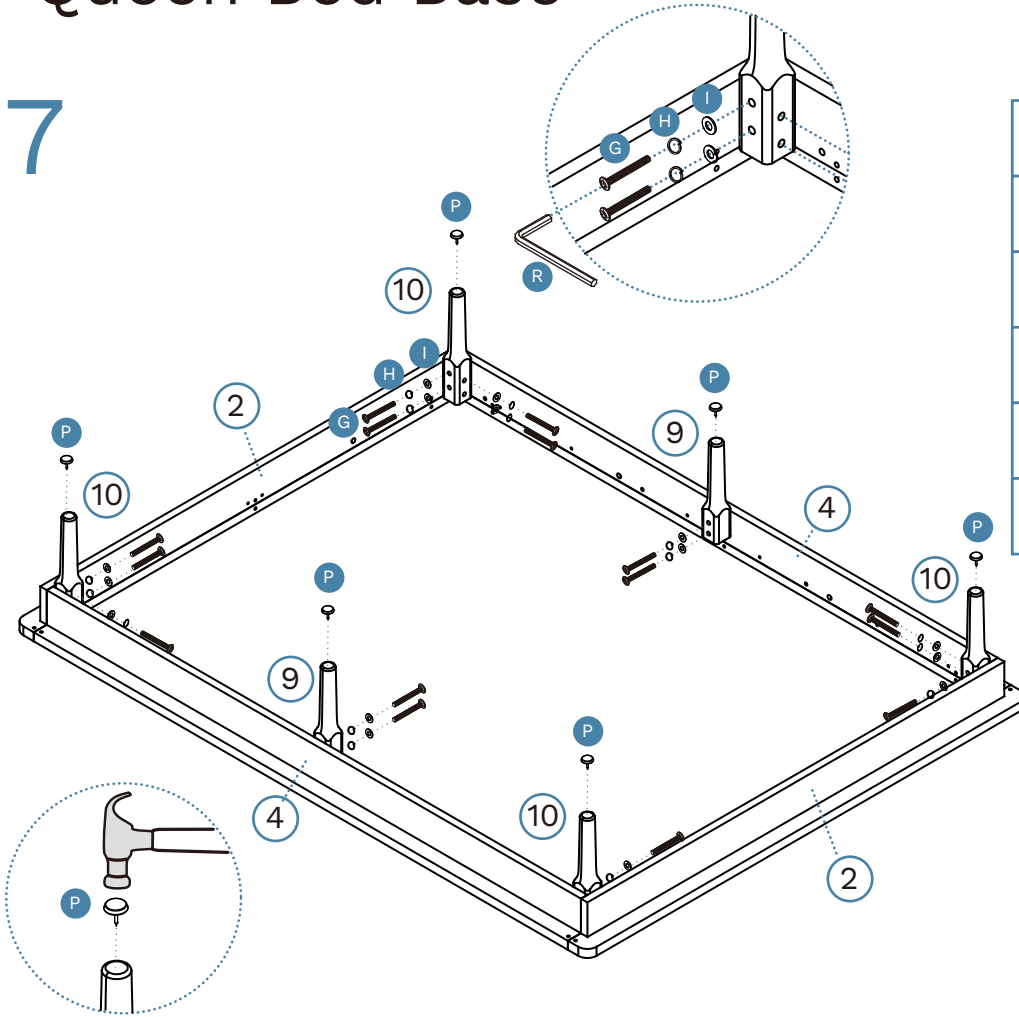
6



Hardware Needed		
A		x2
F		x2

# Queen Bed Base

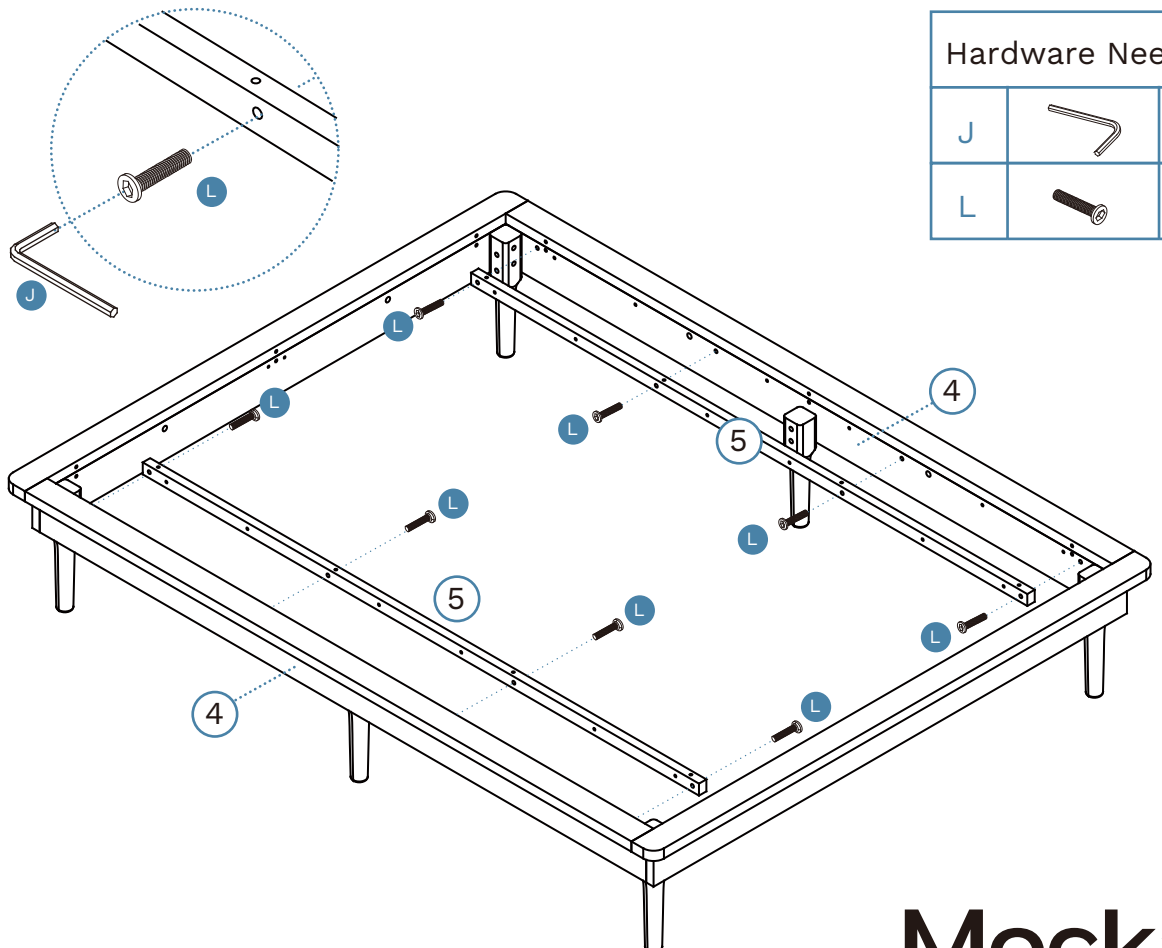
7



Hardware Needed		
G		x20
H		x20
I		x20
P		x6
R		x1

Turn Over

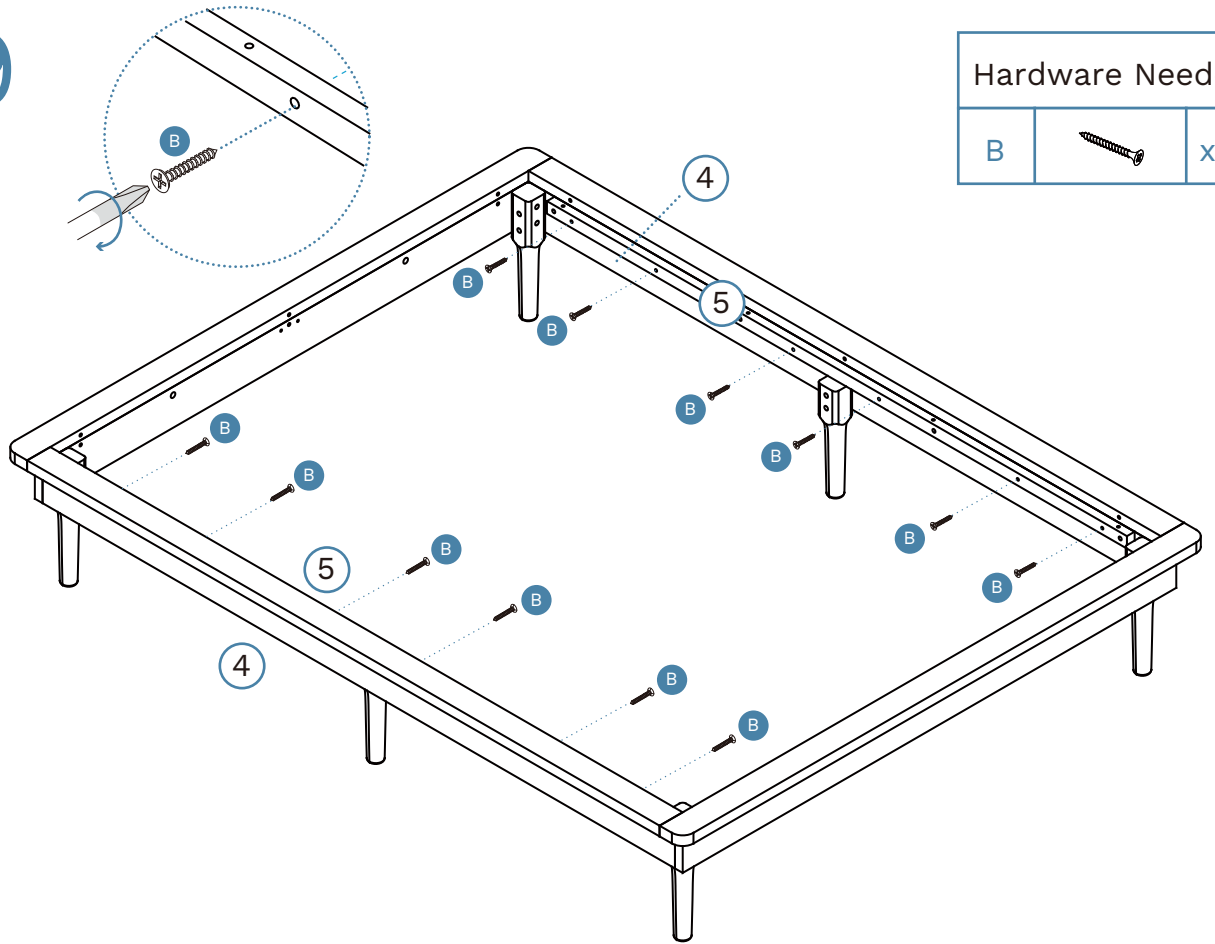
8



Hardware Needed		
J		x1
L		x8

# Queen Bed Base

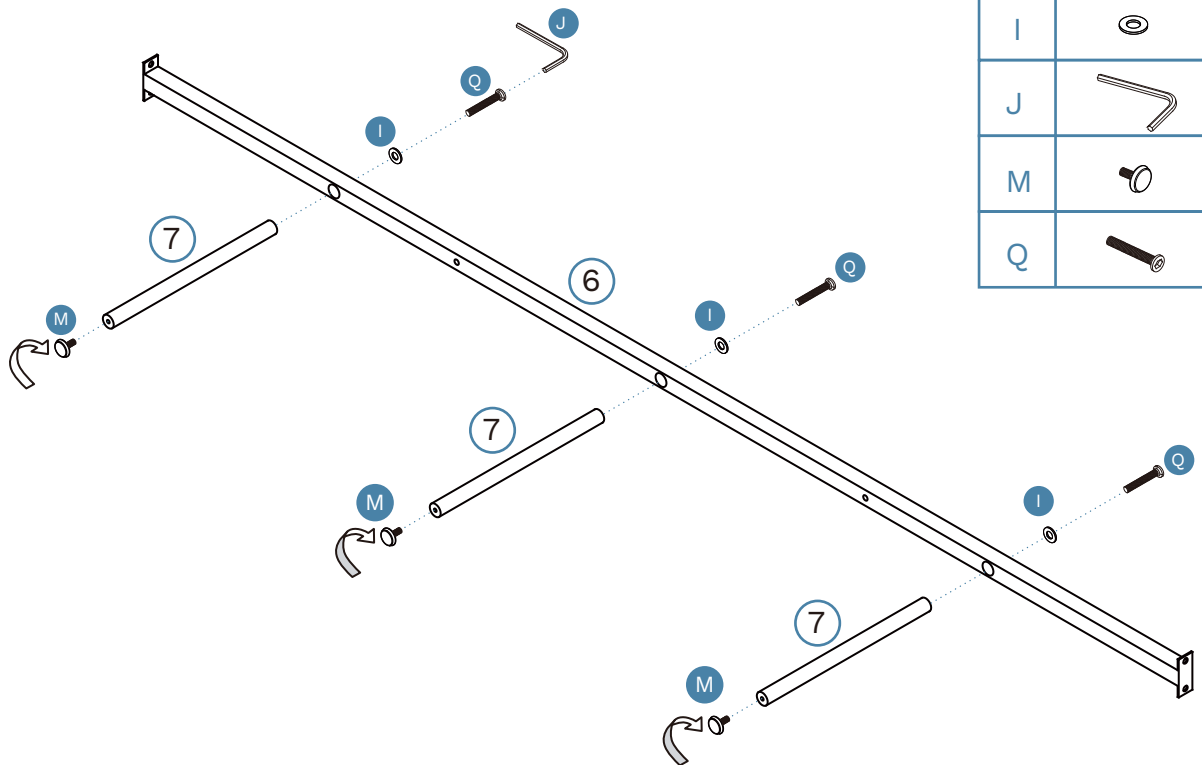
9







Hardware Needed

B		x12
---	---	-----

10



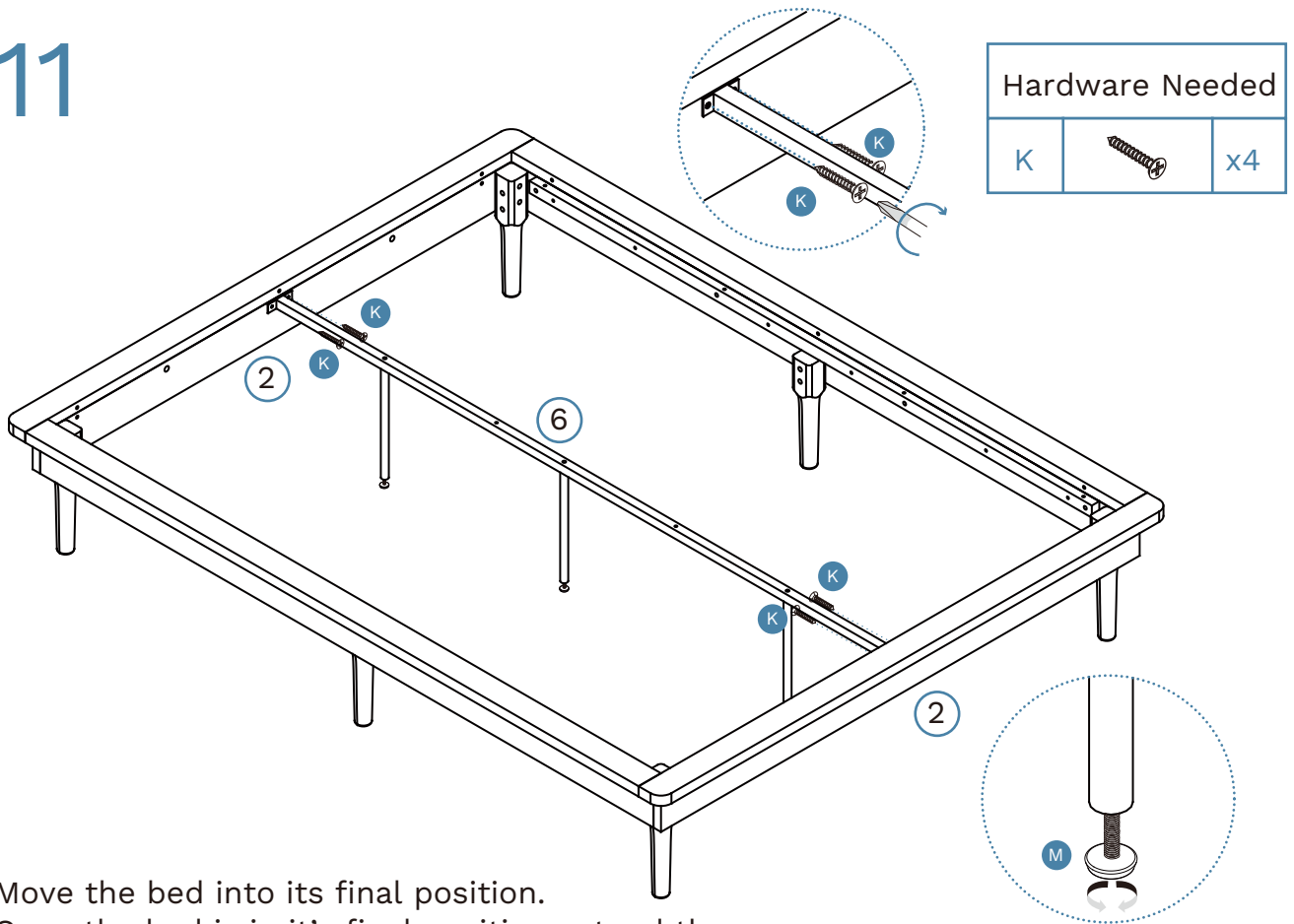
Hardware Needed


I		x3
J		x1
M		x3
Q		x3



# Queen Bed Base

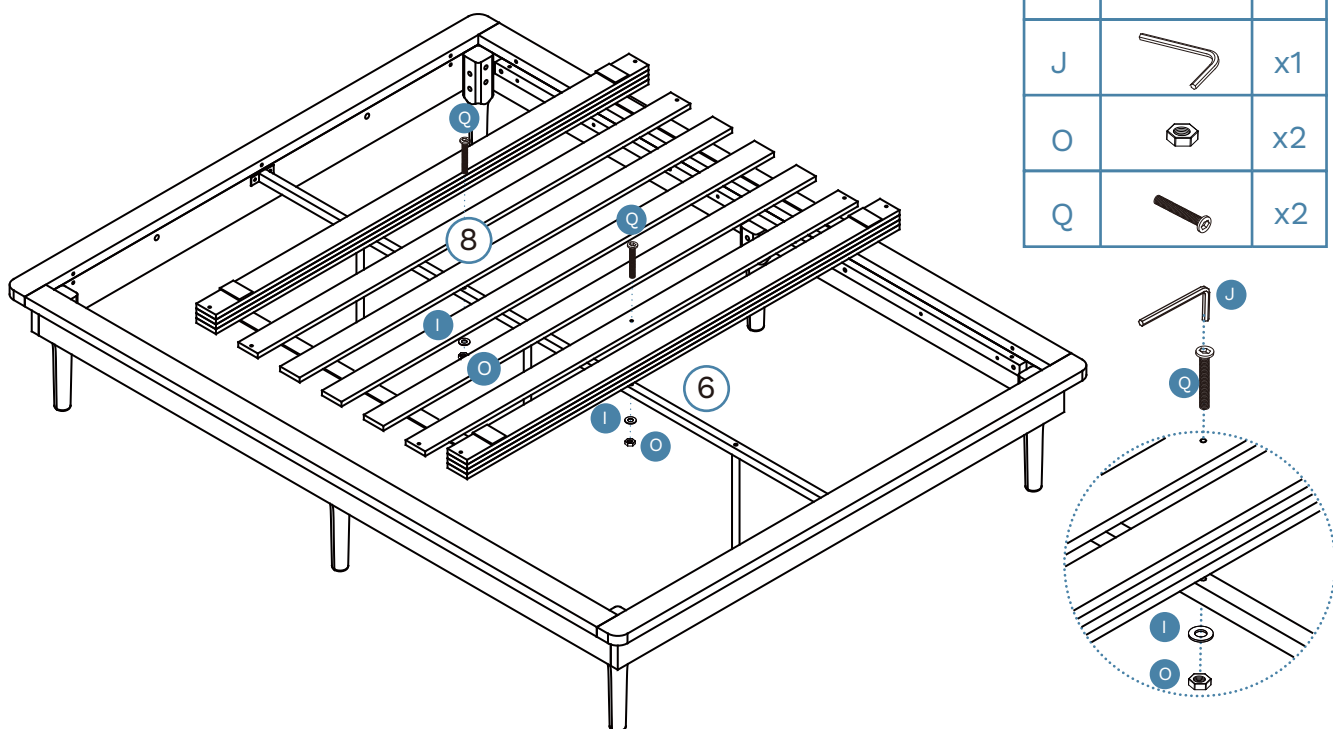
11







Hardware Needed		
K		x4

Move the bed into its final position.  
Once the bed is in its final position extend the 3 x adjusters (M) on the 3 x support legs [7] so they are level with the floor.

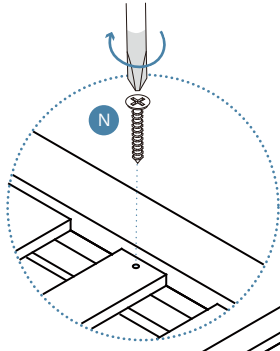
12




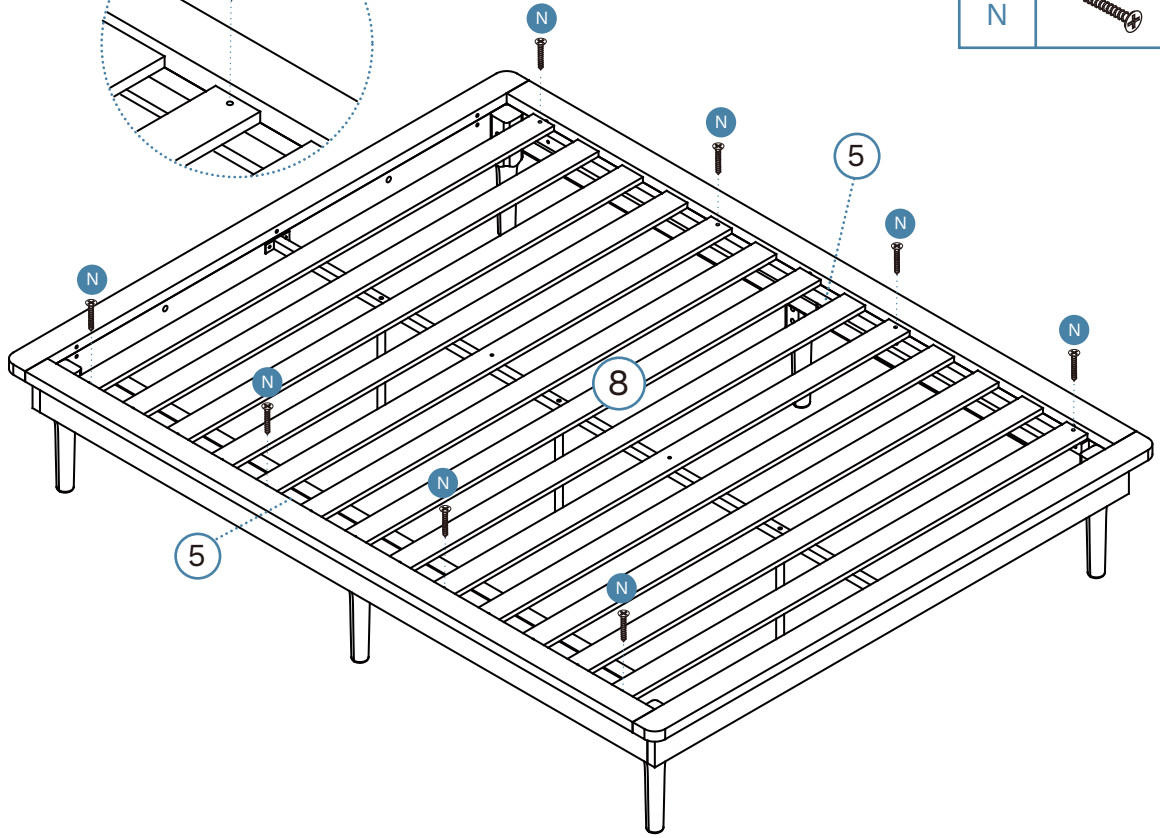
Hardware Needed		
I		x2
J		x1
O		x2
Q		x2

# Queen Bed Base

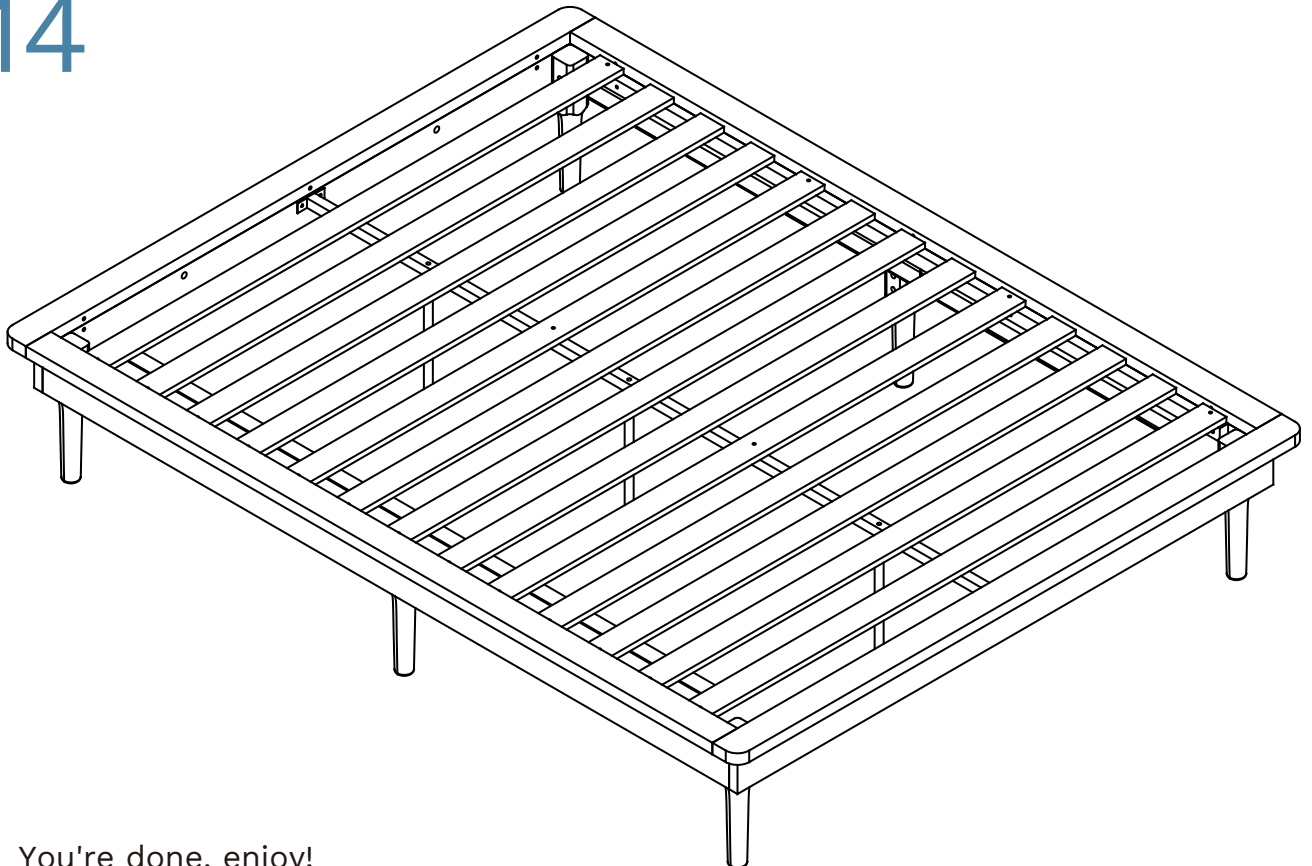
13



Hardware Needed		
N		x8



14



You're done, enjoy!